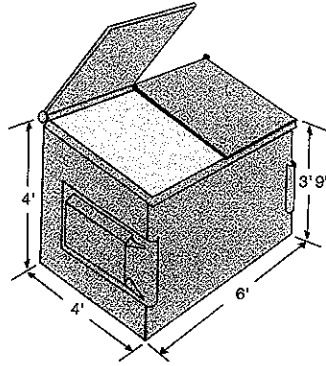
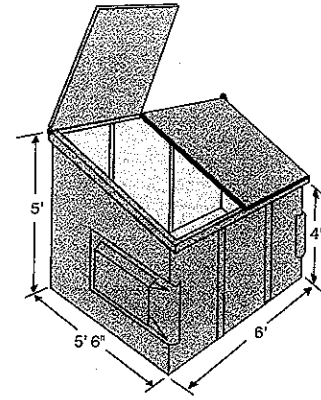


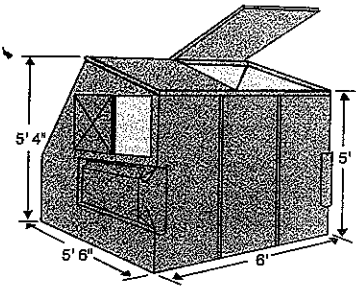
2 YARD



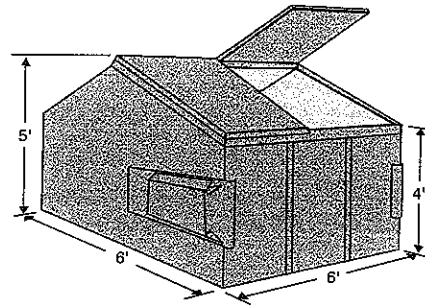
3 YARD



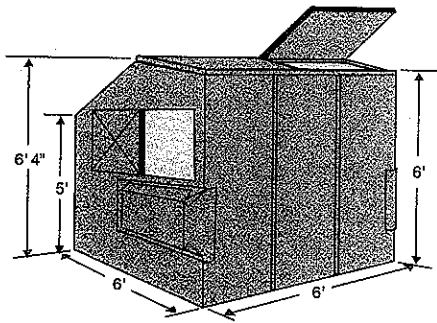
4 YARD



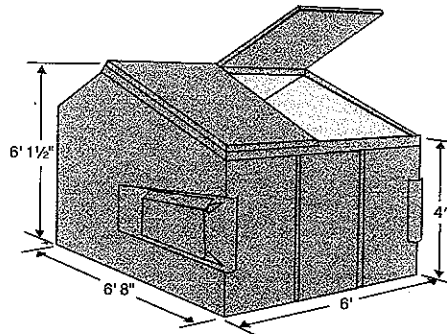
6 YARD



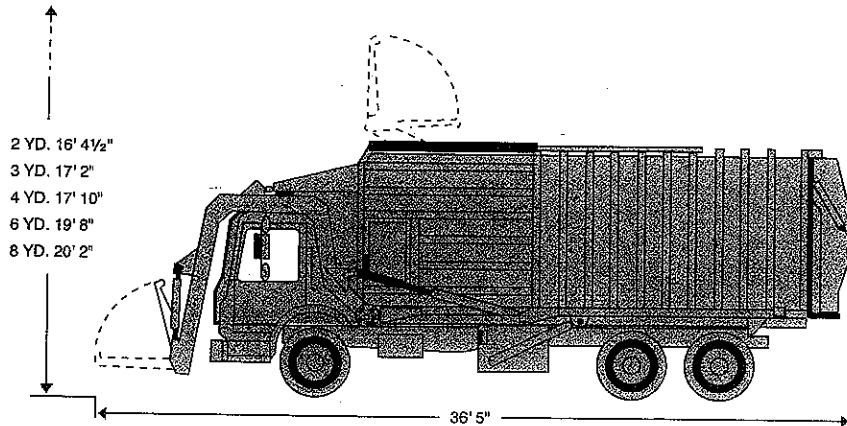
6 YARD SLANT



8 YARD



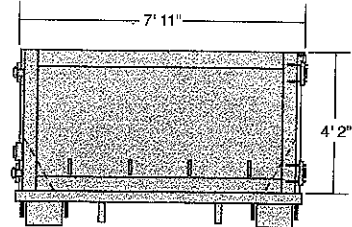
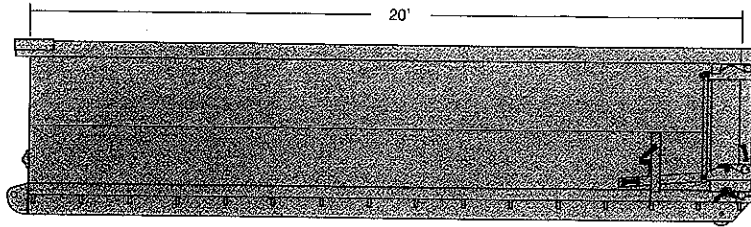
8 YARD SLANT



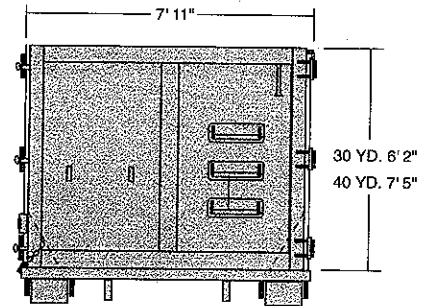
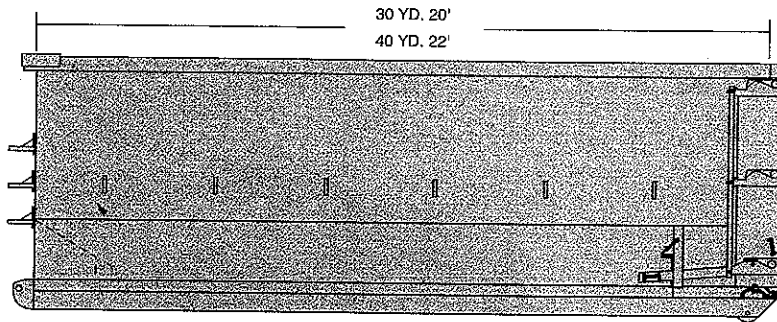
COLLECTION VEHICLE CONFIGURATION

Note: Approximate specifications subject to change.

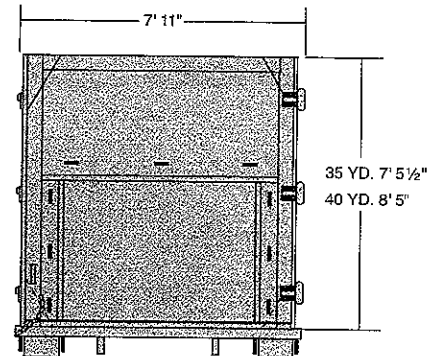
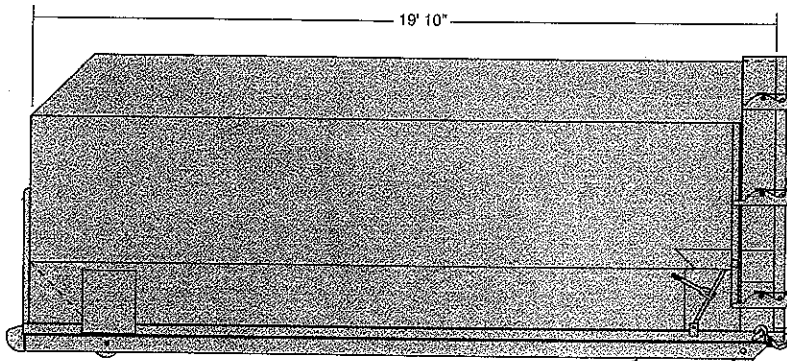
ROLL OFF CONTAINER SPECIFICATIONS



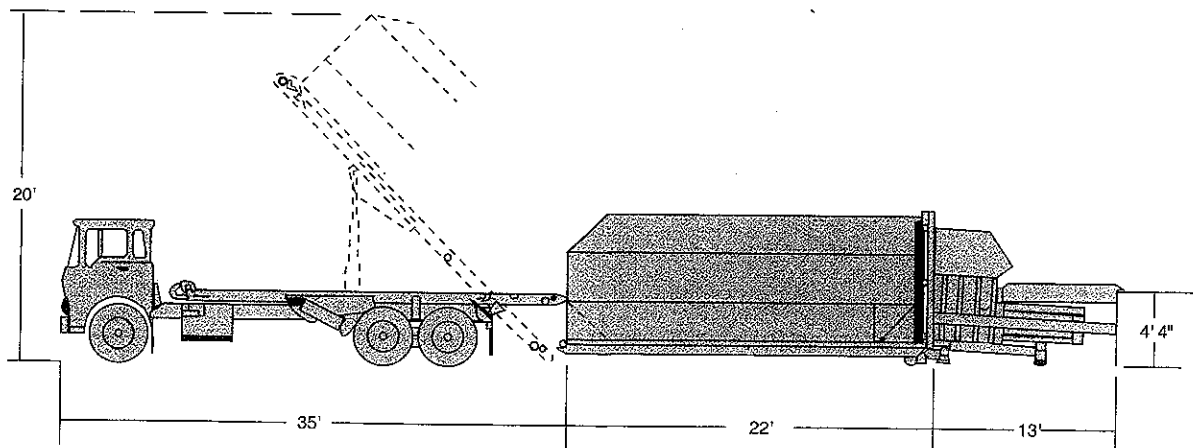
20 YARD OPEN TOP



30 & 40 YARD OPEN TOP



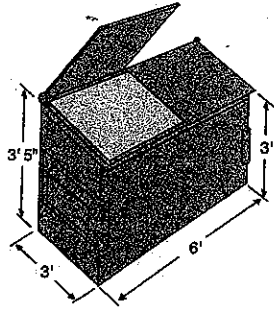
35 & 40 YARD COMPACTORS



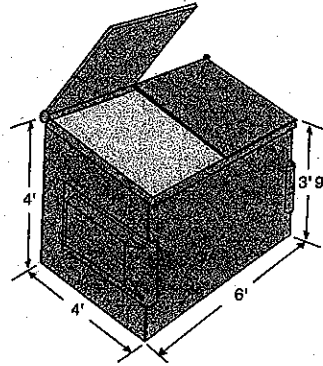
ROLL OFF VEHICLE CONFIGURATION

Note: Approximate specifications subject to change.

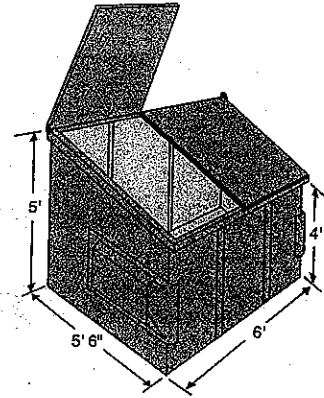
FRONT LOADING CONTAINER SPECIFICATIONS



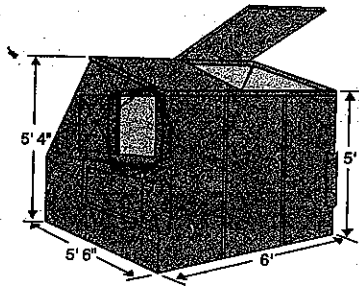
2 YARD



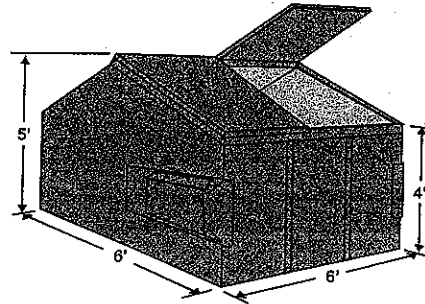
3 YARD



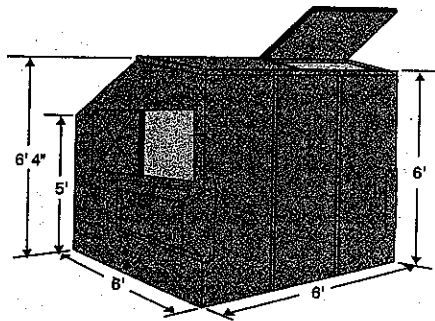
4 YARD



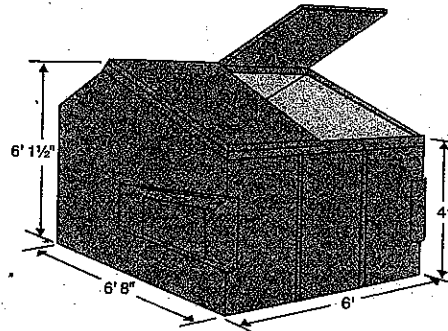
6 YARD



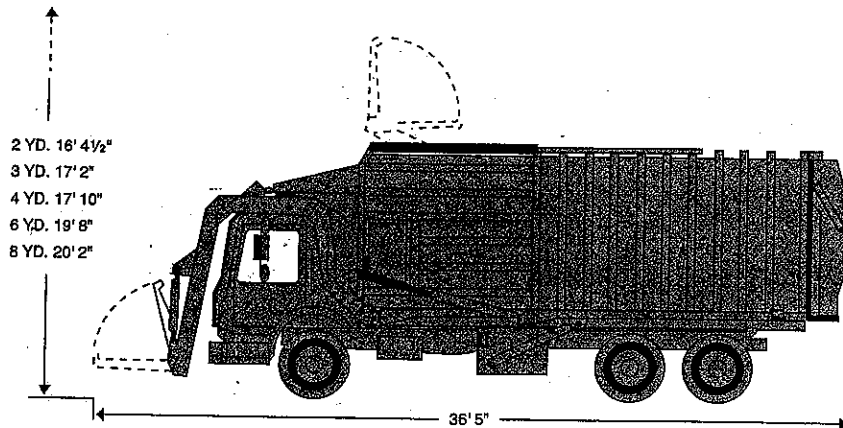
6 YARD SLANT



8 YARD



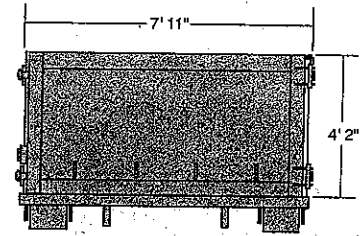
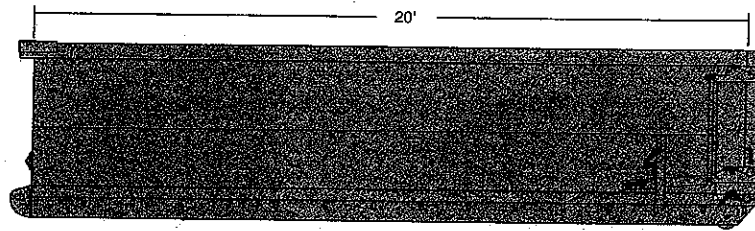
8 YARD SLANT



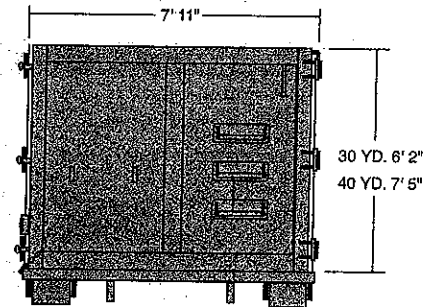
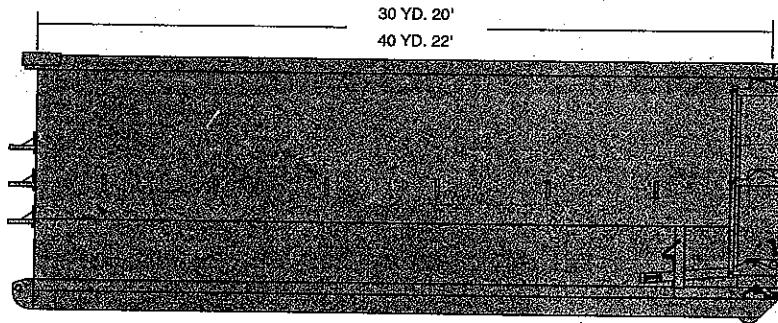
COLLECTION VEHICLE CONFIGURATION

Note: Approximate specifications subject to change.

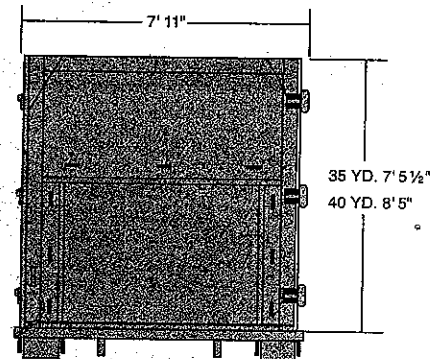
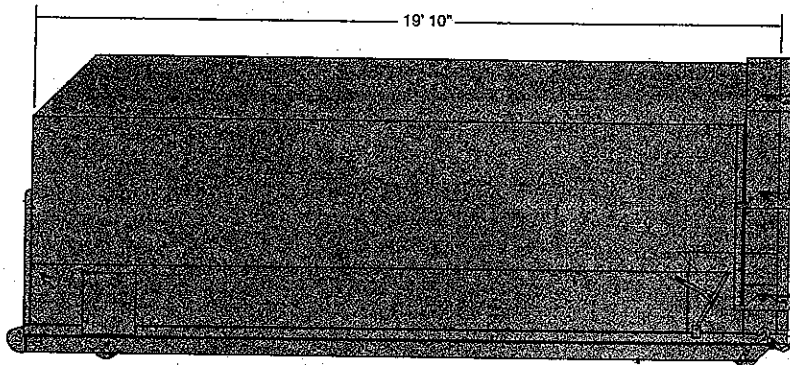
ROLL OFF CONTAINER SPECIFICATIONS



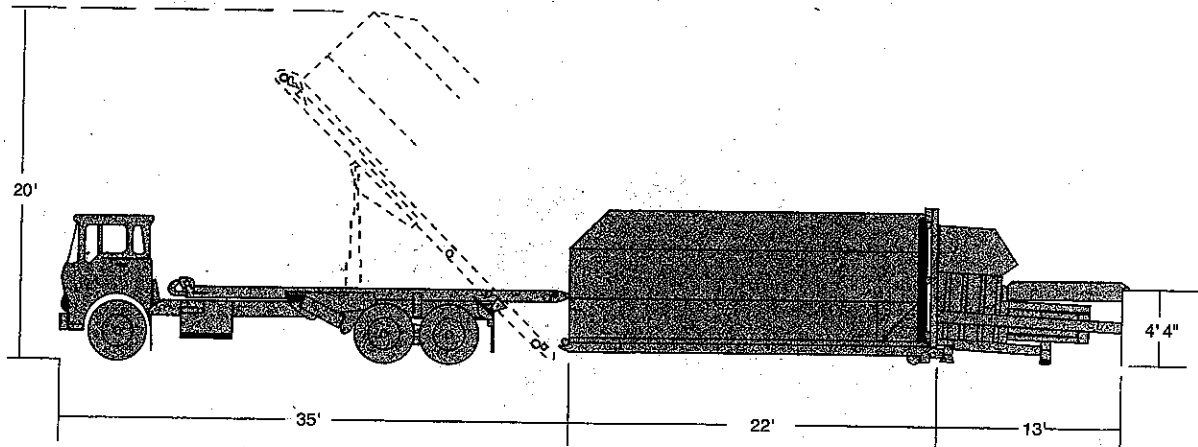
20 YARD OPEN TOP



30 & 40 YARD OPEN TOP



35 & 40 YARD COMPACTORS



ROLL OFF VEHICLE CONFIGURATION

Note: Approximate specifications subject to change.